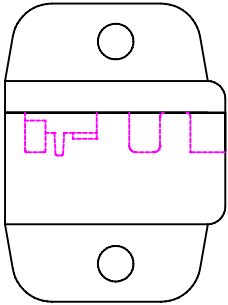
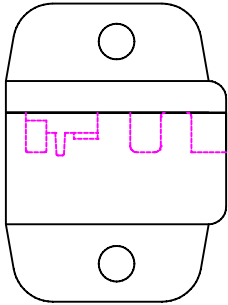
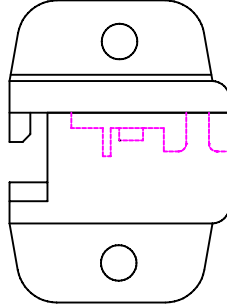
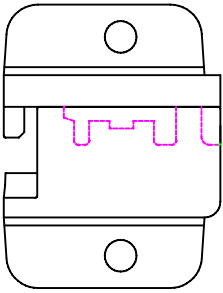
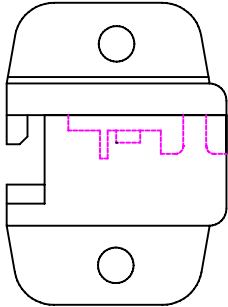


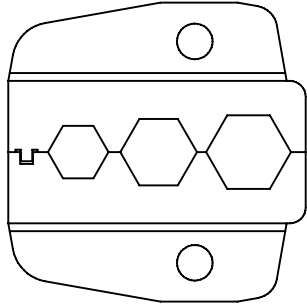
Die Set No.	1406S
	
Specification	RJ-11 ,2,4 & 6 position modular plugs
Crimping Cable size	

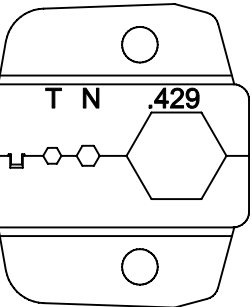
Die Set No.	1406DS
	
Specification	RJ-11DEC MMJ 6 position modular plugs with an offset release tab
Crimping Cable size	

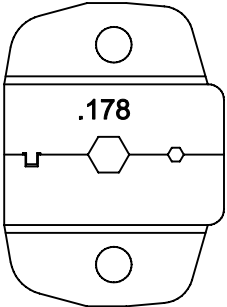
Die Set No.	1408S
	
Specification	RJ-45 , 8 position Keyed or nonkeyed modular plugs (excluding AMP)
Crimping Cable size	

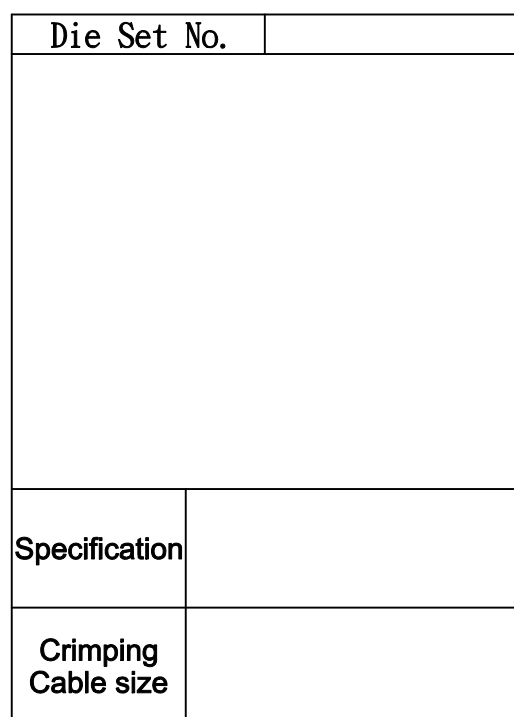
Die Set No.	1408AS
	
Specification	AMP RJ-45, 8 position modular plugs Primary strain reliever crimp bar is located further back on die/ modular plugs
Crimping Cable size	

Die Set No.	1410S
	
Specification	RJ-45 ,10 position modular plugs
Crimping Cable size	

Die Set No.	1328T
	
Specification	.255"(6.48mm)/.320"(8.13mm) .350"(8.89mm)
Crimping Cable size	RG-6, RG-59 F-type CATV Connectors

Die Set No.	1350T
	
Specification	.080"(2.03mm)/.100"(2.54mm) .429"(10.9mm)
Crimping Cable size	N-Series & RG-8/11 Connectors

Die Set No.	20032T
	
Specification	.178"(4.52mm)/.068"(1.73mm)
Crimping Cable size	RG-174 BNC/TNC Connectors

Die Set No.	
	
Specification	
Crimping Cable size	