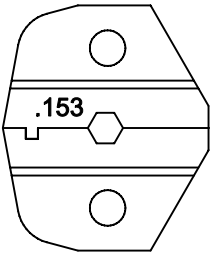
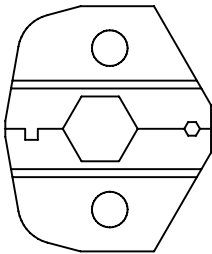
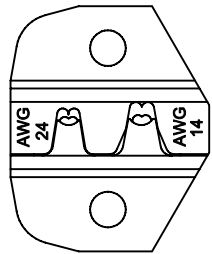
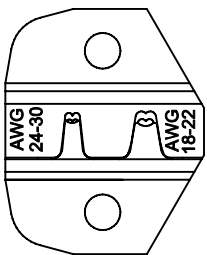
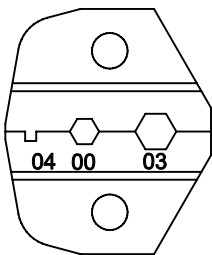


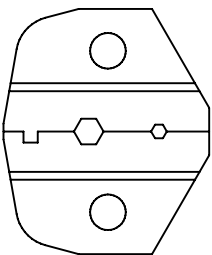
Die Set No.	11004
	
Specification	.153"(3.89mm)
Crimping Cable size	3M/ST fiber-optic connectors

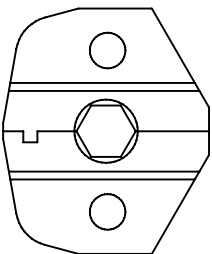
Die Set No.	11005
	
Specification	.324"(8.23mm)/.068"(1.73mm)
Crimping Cable size	Belden-type RG-8281 & RG-6 BNC/TNC 3 pc coax connectors

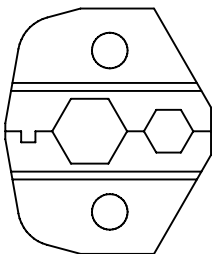
Die Set No.	11010
	
Specification	AWG 24/14 DIN 0.25/2.5mm ²
Crimping Cable size	Non-insulated open barrel contact commercial-type pins & sockets

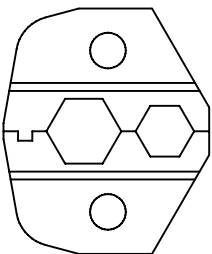
Die Set No.	11011
	
Specification	AWG 24-30/18-22 DIN 0.25-0.05/1.0-0.5mm ²
Crimping Cable size	Non-insulated open barrel D-sub RS232 pin & sockets/pins & sockets

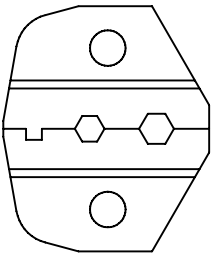
Die Set No.	11016
	
Specification	.128"(3.25mm)/.178"(4.52mm)
Crimping Cable size	T&B Fiber-optic connectors

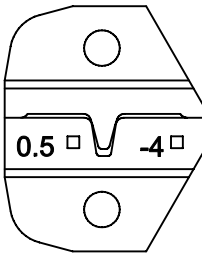
Die Set No.	11017
	
Specification	.128"(3.25mm)/.068"(1.73mm)
Crimping Cable size	Mini 59 BNC/TNC connectors

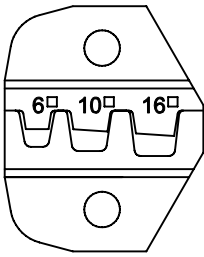
Die Set No.	11019
	
Specification	.255"(6.48mm)
Crimping Cable size	RG-59 BNC/TNC connectors

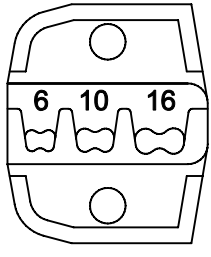
Die Set No.	11022
	
Specification	.324"(8.23mm)/.213"(5.41mm)
Crimping Cable size	Cambridge 2 pc RG-58 & RG-59 Teflon BNC/TNC connectors

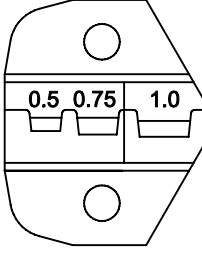
Die Set No.	11023
	
Specification	.324"(8.23mm)/.255"(6.48mm)
Crimping Cable size	Cambridge 2 pc RG-62/59 BNC/TNC coax connectors

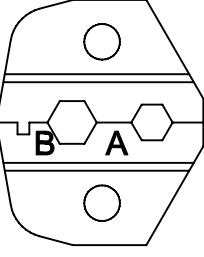
Die Set No.	11024
	
Specification	.128"(3.25mm)/.151"(3.84mm)
Crimping Cable size	Opti Fiber-Optic connectors

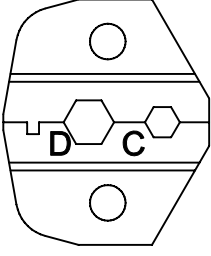
Die Set No.	11064
	
Specification	AWG 22-12 DIN 0.5-4mm ²
Crimping Cable size	Pin terminal insulated or Non-insulated ferrules

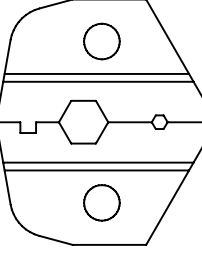
Die Set No.	11065
	
Specification	AWG 10-6 DIN 6-16mm ²
Crimping Cable size	Pin terminal insulated or Non-insulated ferrules

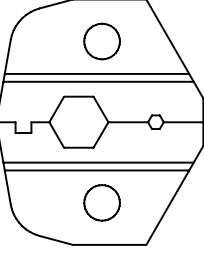
Die Set No.	11066
	
Specification	AWG 10-6 DIN 6-16mm ²
Crimping Cable size	Pin terminal insulated or Non-insulated ferrules

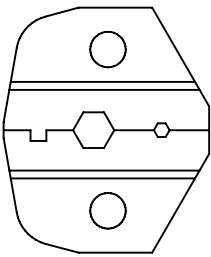
Die Set No.	11067
	
Specification	AWG 26-16 DIN 0.5-1.25mm ²
Crimping Cable size	Small Size insulated terminals

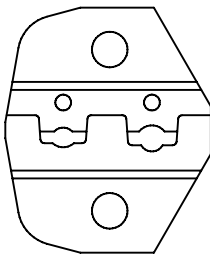
Die Set No.	20015
	
Specification	.213"(5.41mm)/.178"(4.52mm)
Crimping Cable size	Amphenol SMA Fiber-optic connectors

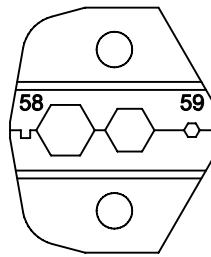
Die Set No.	20016
	
Specification	.218"(5.54mm)/.151"(3.84mm)
Crimping Cable size	Amphenol SMA Fiber-optic connectors

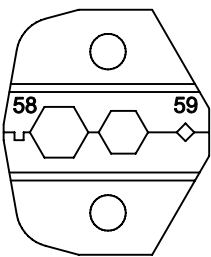
Die Set No.	20030
	
Specification	.213"(5.41mm)/.068(1.73mm)
Crimping Cable size	RG-58 BNC/TNC 3 pc coax connectors

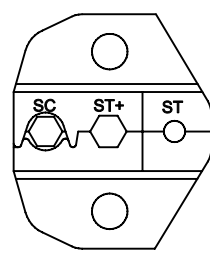
Die Set No.	20031
	
Specification	.255"(6.48mm)/.068(1.73mm)
Crimping Cable size	RG-59/62 AU BNC/TNC 3 pc coax connectors

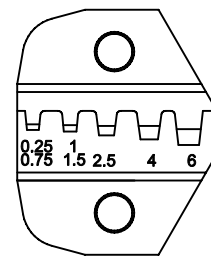
Die Set No.	20032
	
Specification	.178"(4.52mm)/.068"(1.73mm)
Crimping Cable size	RG-174 BNC/TNC connectors


Die Set No.	1305S
	
Specification	AWG 22-14 DIN 0.5-2.5mm ²
Crimping Cable size	Insulated terminals


Die Set No.	1317S
	
Specification	.255"(6.48mm)/.213"(5.41mm) .068"(1.73mm)
Crimping Cable size	RG-58, RG-59/62, BNC/TNC coax connectors


Die Set No.	1317SA
	
Specification	.255"(6.48mm)/.213"(5.41mm) .068"(1.73mm)
Crimping Cable size	RG-58, RG-59/62, BNC/TNC coax connectors

Die Set No.	1510B
	
Specification	.106"(2.72mm)/.146"(3.74mm) .157"(3.99mm)HEX.
Crimping Cable size	

Die Set No.	20045
	
GRINDING	
Specification	AWG 22-10 DIN 0.25-6mm ²
Crimping Cable size	Pin terminal insulated or Non-insulated ferrules

Die Set No.	
	
Specification	
Crimping Cable size	

Die Set No.	
	
Specification	
Crimping Cable size	

Die Set No.	
	
Specification	
Crimping Cable size	