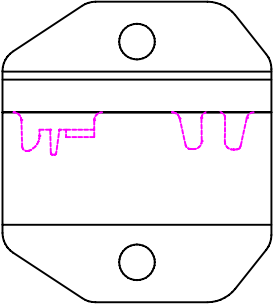
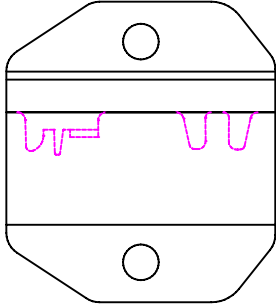
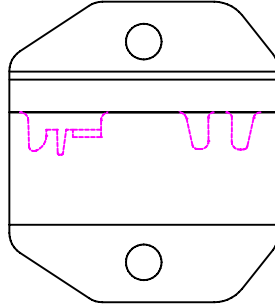
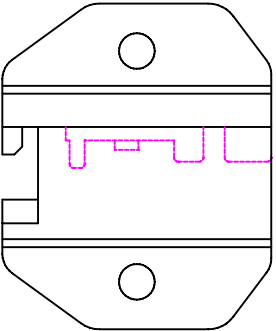
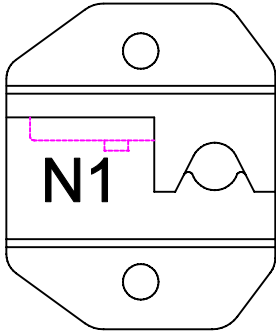


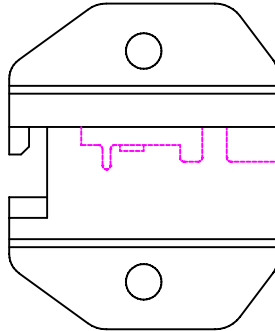
Die Set No.	1404
	
Specification	RJ-22 ,2 & 4 position handset modular plugs
Crimping Cable size	

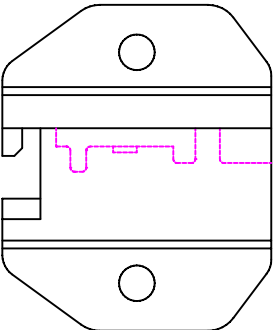
Die Set No.	1406
	
Specification	RJ-11 ,2,4 & 6 position modular plugs
Crimping Cable size	

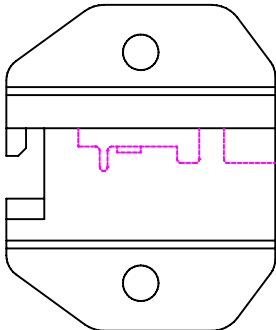
Die Set No.	1406D
	
Specification	RJ-11DEC MMJ 6 position modular plugs with an offset release tab
Crimping Cable size	

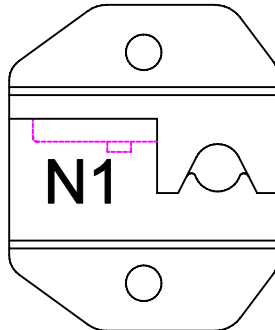
Die Set No.	1406T
	
Specification	RJ-11, 6 position SHIELDED plugs
Crimping Cable size	

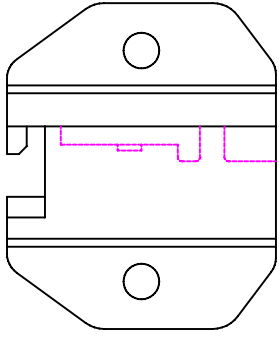
Die Set No.	1406N1
	
Specification	RJ-11 , 6 position modular plugs , fully Shield CAT.5
Crimping Cable size	

Die Set No.	1408
	
Specification	RJ-45 , 8 position Keyed or nonkeyed modular plugs (excluding AMP)
Crimping Cable size	

Die Set No.	1408A
	
Specification	AMP RJ-45, 8 position modular plugs Primary strain reliever crimp bar is located further back on die/ modular plugs
Crimping Cable size	

Die Set No.	1408G
	
Specification	RJ-45, 8 position SHIELDED plugs
Crimping Cable size	

Die Set No.	1408N1
	
Specification	RJ-45 , 8 position modular plugs , fully Shield CAT.5
Crimping Cable size	

Die Set No.	1408N2
	
Specification	RJ-45 , 8 position Keyed or nonkeyed modular plugs for MMC plug(excluding AMP)
Crimping Cable size	

Die Set No.	
Specification	
Crimping Cable size	

Die Set No.	
Specification	
Crimping Cable size	

Die Set No.	
Specification	
Crimping Cable size	

Die Set No.	
Specification	
Crimping Cable size	

Die Set No.	
Specification	
Crimping Cable size	

Die Set No.	
Specification	
Crimping Cable size	

Die Set No.	
Specification	
Crimping Cable size	

Die Set No.	
Specification	
Crimping Cable size	