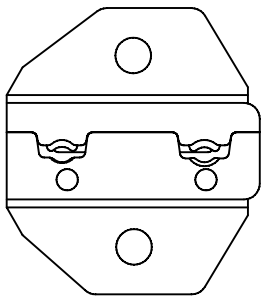
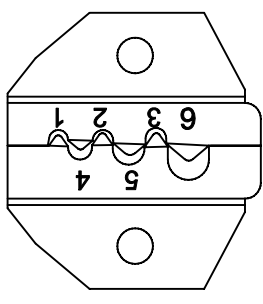
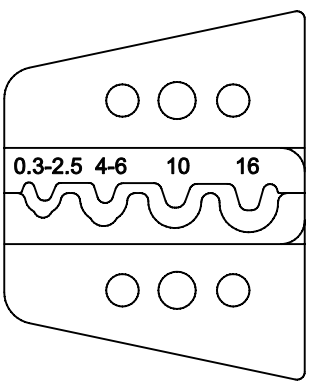
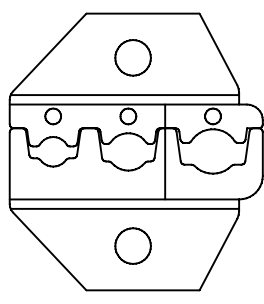
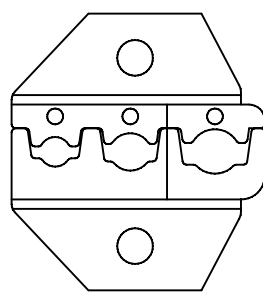


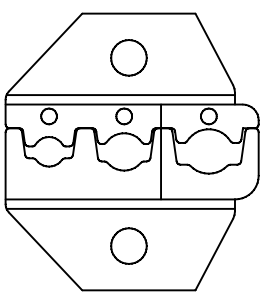
Die Set No.	6105
	
Specification	AWG 22-14 DIN 0.5-2.5mm ²
Crimping Cable size	Insulated flag terminals

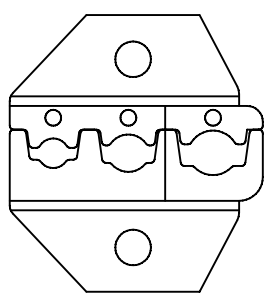
Die Set No.	6110
	
Specification	AWG 22-8 DIN 0.5-10mm ²
Crimping Cable size	Pin terminal insulated or Non-insulated ferrules

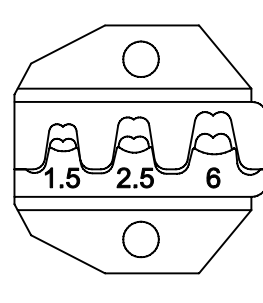
Die Set No.	6116
	
Specification	AWG 24-6 DIN 0.3-16mm ²
Crimping Cable size	Non insulated terminals

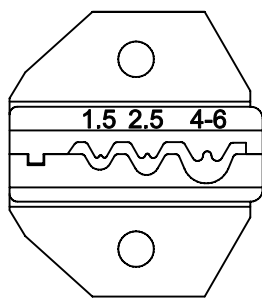
Die Set No.	6124
	
"1" "2" "6"	
Specification	AWG 22-10 DIN 0.5-6mm ²
Crimping Cable size	Insulated terminals /color code nests

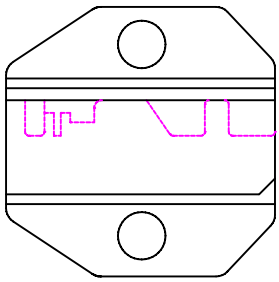
Die Set No.	6125
	
"1" "2" "5"	
Specification	AWG 22-10 DIN 0.5-6mm ²
Crimping Cable size	Insulated terminals /color code nests

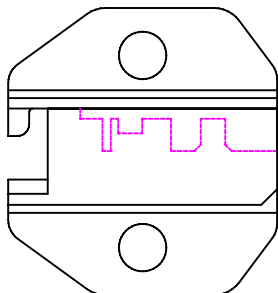
Die Set No.	6126
	
"K" "K" "K"	
Specification	AWG 22-10 DIN 0.5-6mm ²
Crimping Cable size	Insulated terminals /color code nests

Die Set No.	6127
	
" " " " " " ... "	
Specification	AWG 22-10 DIN 0.5-6mm ²
Crimping Cable size	Insulated terminals /color code nests

Die Set No.	6128
	
Specification	AWG 22-10 DIN 0.5-6mm ²
Crimping Cable size	Non insulated open barrel connectors, commercial type

Die Set No.	6156
	
Specification	AWG 16-10 DIN 1.5-6mm ²
Crimping Cable size	Non insulated terminals

Die Set No.	6406F
	
Specification	RJ-11 ,2,4 & 6 position modular plugs
Crimping Cable size	

Die Set No.	6408F
	
Specification	RJ-45 , 8 position Keyed or nonkeyed modular plugs (excluding AMP)
Crimping Cable size	

Die Set No.	
Specification	
Crimping Cable size	

Die Set No.	
Specification	
Crimping Cable size	

Die Set No.	
Specification	
Crimping Cable size	

Die Set No.	
Specification	
Crimping Cable size	

Die Set No.	
Specification	
Crimping Cable size	

Die Set No.	
Specification	
Crimping Cable size	

Die Set No.	
Specification	
Crimping Cable size	